



Gardco DuraForm medium floodlights champion versatility, durability, and performance. They are designed to suit industrial, utility, and commercial applications as the strongest, most controls-capable, and configurable floodlights. Available in three sizes to optimize lumens per dollar (also see FLDS and FLDL), DuraForm provides you with peace of mind for a product that is built to last. Includes Service Tag, Signify's innovative way to provide assistance throughout the life of the product.

Project: _____
 Location: _____
 Cat.No: _____
 Type: _____
 Lumens: _____ Qty: _____
 Notes: _____

Ordering guide

example: FLDM-A13-740-A33-SFC-UNV-FAWS-SP2-TOL-API-MG

Prefix	Configuration (nominal lumens)	Color Temperature	Distribution	Mounting	Voltage
FLDM					
FLDM DuraForm medium	A07 11,700 A08 14,500 A09 18,100 A10 15,400 A11 17,200 A12 20,900 A13 21,600 A14 26,100	730 70CRI 3000K 740 70CRI 4000K 750 ⁷ 70CRI 5000K (750 - Special, contact factory)	SPT Spot 12° Round (NEMA 2x2) RSP Rectangular Spot (NEMA 3x3) NFL Narrow Flood (NEMA 4x4) MFL Medium Flood (NEMA 5x5) WFL Wide Flood (NEMA 6x6) 7X6 (NEMA 7x6) A33 Asymmetric 33 Flood (NEMA 6x5) RMF Rectangular Medium Flood (NEMA 7x4) RNF Rectangular Narrow Flood (NEMA 7x5)	SFC Slip Fitter Mount with Cord (fits on 2-3/8" to 3" O.D. tenon, 6' or 1.83m cord exits luminaire) SLF Slip Fitter Mount (fits on 2-3/8" to 3" O.D. tenon, wires through slip fitter) YOK Yoke Mount (6' or 1.83m cord exits luminaire)	120 120V 208 208V 240 240V 277 277V 347 347V 480 480V UNV 120-277V HVV 347-480V

Options									
Dimming controls (only one may be selected)	Fusing ⁵	Surge Protection	Hardware Options	Other Options	Finish				
The following options include 0-10V driver(s)	none leave blank FS1 Single Fuse (120V, 277V, or 347V)	blank Surge Protector 10kV / 10kA (standard) SP2 Surge Protector 20kV / 10kA (option)	blank Captive screws TOL Tool-less entry latches VPA Vandal Proof Access (bit included with luminaire)	blank ¹⁰ Terminal Block, Service Tag, and Wiring Cover (standard) API Factory-installed ANSI C136.15-2015 compliant label C##⁷ Cord length specified by customer for SFC or YOK (put length in feet in place of "##" - example: C10 for 10' cord, must be ordered same time as luminaire - factory installed) (6' cord standard) PCB ^{13,4,5} Photocontrol Button TT7 ^{3,4,6} Tool-less NEMA Twist-lock 7-pin receptacle BAC ^{8,9} Meets the requirements of the Buy American Act of 1933 (BAA)	BK Black BZ Bronze MG Medium Gray OC ⁷ Optional Color (specify optional color or RAL, contact factory) SC ⁷ Special Color (must supply color chip, requires factory quote) MP ⁷ Marine Grade paint - must also specify one of the finish colors from list above [EX: BK-MP] (requires factory quote)				
The following options include D4i Certified DALI/SR driver(s)	FS2 Double Fuse (208V, 240V, or 480V) FS3 ⁸ Canadian Double Pole Fuse (208V, 240V, or 480V)								
D4ID ² D4i Certified DALI/SR Driver ZD4I ¹¹ Zhaga-D4i Certified Fixture (includes Zhaga 4-pin receptacle; sensors supplied by others)									

- Not available with 347V, 480V, or HVU.
- Your specific required D4ID profiles will be programmed at the factory. Contact factory for details. Also contact factory if +50C ambient with D4ID is required.
- Luminaire has 0-10V dimming wires exiting the luminaire for dimming controls by others. DLEA not available with PCB or TT7 - choose only 1 of the three options.
- Choose either PCB or TT7 option
- Must specify applicable specific input voltage, not available with UNV or HVU.
- Use of photoelectric cell (by others) or shorting cap (must be ordered separately - see table below for more details) is required to ensure proper illumination.
- Must contact factory prior to ordering.
- Extended lead times apply. Contact factory for details.
- Failure to properly select the "BAC" suffix could result in you receiving product that is not BAA compliant product with no recourse for an RMA or refund. This BAC designation hereunder does not address (i) the applicability of, or availability of a waiver under, the Trade Agreements Act, or (ii) the "Buy America" domestic content requirements imposed on states, localities, and other non-federal entities as a condition of receiving funds administered by the Department of Transportation or other federal agencies.
- Terminal block not included with SFC or YOK options. These options come with an SEOOW power cord. For terminal block, contact factory.
- Luminaire tilt restriction of 45° with ZD4I.

Connected lighting

Interact City connector node provides the plug and play wireless communications technology to connect your floodlight to the Interact City lighting management system.



Accessory Ordering Code	Description
LLC	Interact City cellular technology connector node

Contact Signify for additional support when connected lighting or additional services are desired. For more details visit:
<https://www.interact-lighting.com/en-us/what-is-possible/interact-city>

Shorting cap

Ordered separately for use with TT7 option⁶

Catalog Number	Description
912400548061	ACC-PH9

FLDM DuraForm

Medium floodlight

Accessories*

(ordered separately, field installed - mounting hardware included, uses dedicated mounting holes - do NOT remove lens)

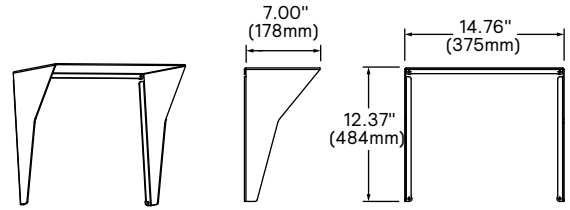
FLDM-VSR-(F) Visor, top or bottom, painted same finish to match luminaire (specify finish at placeholder F, can not be used with GSH)

FLDM-GSH-(F) Glare Shield, left or right, painted same finish to match luminaire (specify finish at placeholder F, can not be used with VSR)

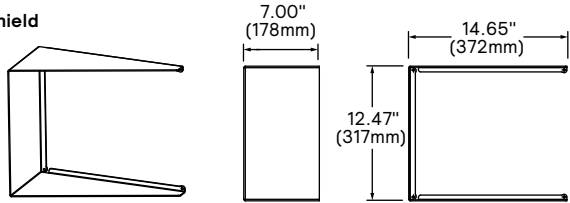
FLDM-WRG Wire Guard (nestable and can be used with either VSR or GSH)

*Consult Signify to confirm whether specific accessories are BAA-compliant.

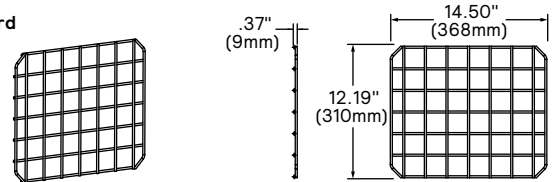
**FLDM-VSR Visor
Top or Bottom**



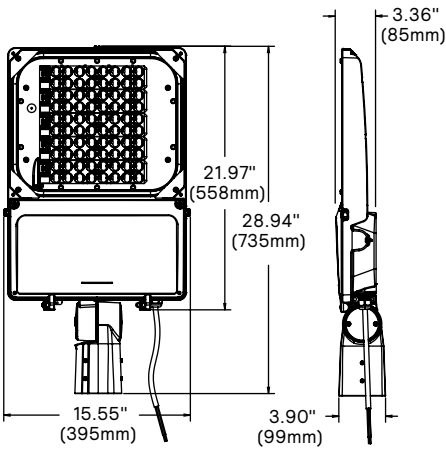
**FLDM-GSH Glare Shield
Left or Right**



**FLDM-WRG Wire Guard
Nestable**

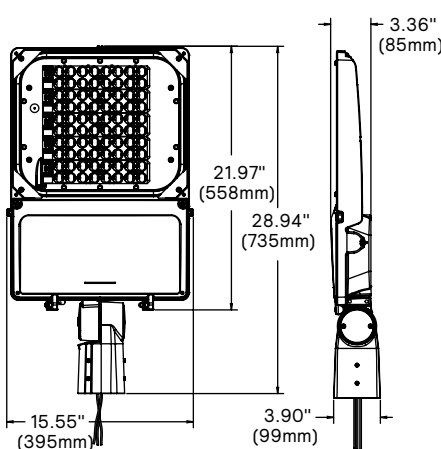


Dimensions



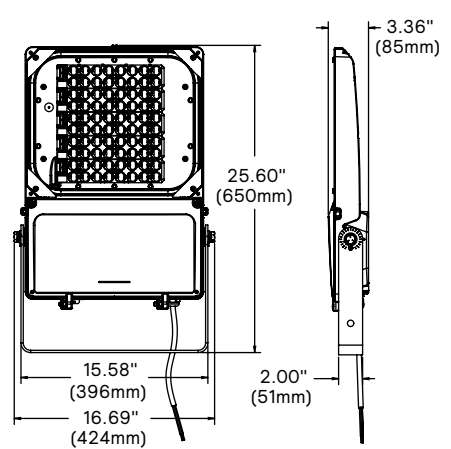
SFC

Luminaire weight: 23 lbs (10.4 kg)



SLF

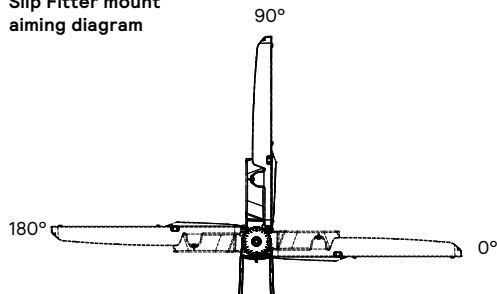
Luminaire weight: 23 lbs (10.4 kg)



YOK

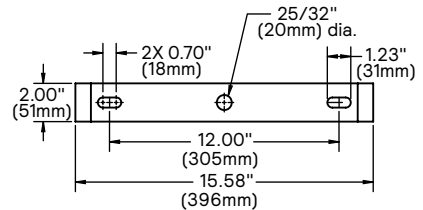
Luminaire weight: 24 lbs (10.9 kg)

**Slip Fitter mount
aiming diagram**

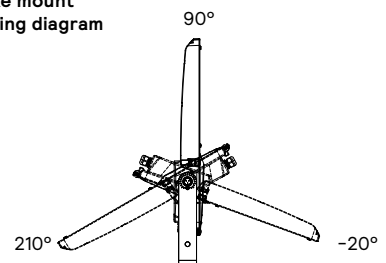


7-pin NEMA Twist Lock Receptacle option
Aiming limited to 0-90° per ANSI C136.10

**Yoke mount
detail**



**Yoke mount
aiming diagram**



7-pin NEMA Twist Lock Receptacle option
Aiming limited to 0-90° per ANSI C136.10

Effective Projected Area (EPA-ft ²)			
Mounting	Single: 0° Aim	Single: 45° Aim	Single: 90° Aim
SFC or SLF	0.192	1.735	2.933
YOK	0.201	1.653	2.918

FLDM DuraForm

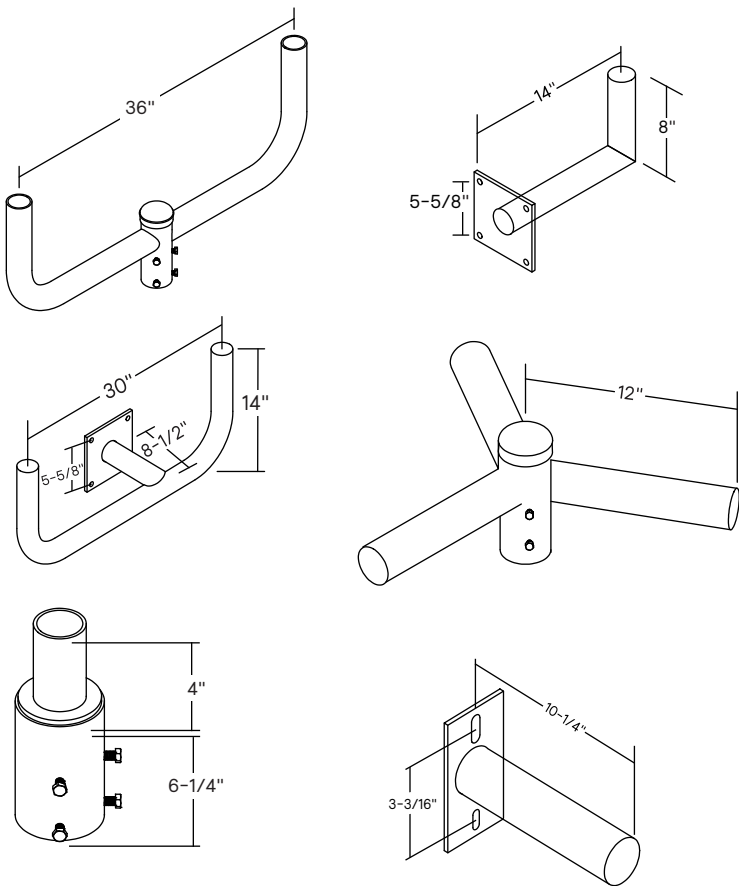
Medium floodlight

DuraForm Mounting Accessories* (ordered separately, field installed, specify finish at placeholder F)

Mounting Accessories

For wall and pole brackets, bullhorns, etc. see <https://www.signify.com/en-us/products/outdoor-luminaires/poles-brackets/site-and-area-brackets/bull-horn-brackets#downloads> for details.

Exception: All UPS Upsweep - contact factory to confirm compatibility.



Examples shown are not to scale - see SBRKT spec sheet for all available brackets

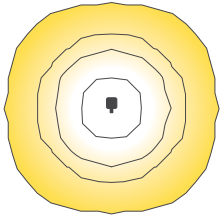
*Consult Signify to confirm whether specific accessories are BAA-compliant.

FLDM DuraForm

Medium floodlight

Optical Distribution Diagrams

SPT Spot 12° Round (NEMA 2x2)



20' or 6.10m setback, 0° tilt

Applications include: flags, tighter spotlighting, accenting, taller columns, tighter scalloping, taller structures / monuments / statues, tallest trees.

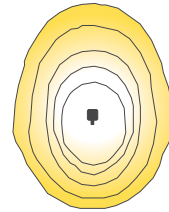
RSP Rectangular Spot (NEMA 3X3)



15' or 4.57m setback, 0° tilt

Applications include: flags, spotlighting, accenting, columns, scalloping, structures / monuments / statues, taller trees.

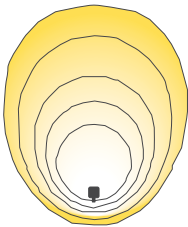
NFL Narrow Flood (NEMA 4x4)



30' or 9.14m mounting height, 45° tilt

Applications include: area lighting, storage yards, transportation terminals, trailer lots, utility sub-stations, prison yards, ports, industrial sites, facades, structures / monuments / statues.

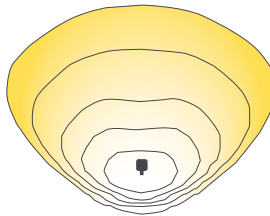
MFL Medium Flood (NEMA 5x5)



30' or 9.14m mounting height, 45° tilt

Applications include: area lighting, storage yards, transportation terminals, trailer lots, utility sub-stations, prison yards, ports, industrial sites, fence perimeters and borders, facades, structures / monuments / statues.

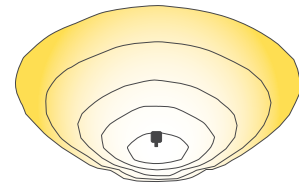
WFL Wide Flood (NEMA 6x6)



30' or 9.14m mounting height, 45° tilt

Applications include: area lighting, storage yards, transportation terminals, trailer lots, utility sub-stations, prison yards, ports, industrial sites, fence perimeters and borders, large facades.

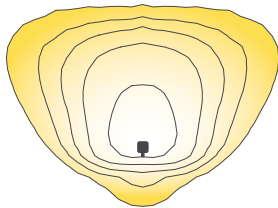
7x6 (NEMA 7x6)



30' or 9.14m mounting height, 45° tilt

Applications include: area lighting, utility sub-stations, fence perimeters and borders, large and taller facades, wall grazing, signs (especially larger and taller ones).

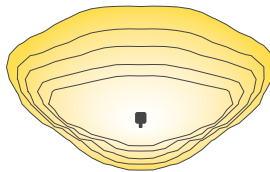
A33 Asymmetric 33° Flood (NEMA 6x5)



30' or 9.14m mounting height, 30° tilt

Applications include: area lighting, storage yards, transportation terminals, utility sub-stations, large facades, wall washing, large structures / monuments / statues, trees with large canopies.

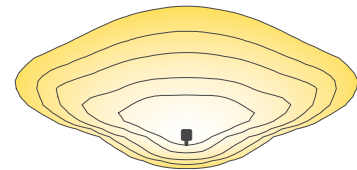
RMF Rectangular Medium Flood (NEMA 7x4)



10' or 3.05m setback, 30° tilt

Applications include: building entrances and exits, security lighting, checkpoints and inspection stations, signs, ornamental trees and shrubs

RNF Rectangular Narrow Flood (NEMA 7x5)



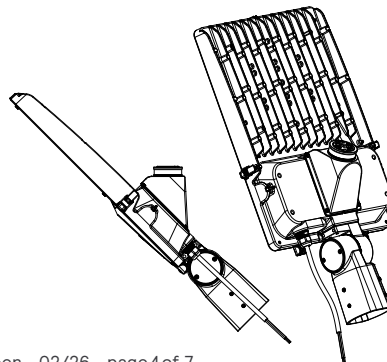
15' or 4.57m setback, 45° tilt

Applications include: facades, wall grazing, signs (especially larger and more rectangular)

Additional drawings

7-pin Twist Lock Receptacle Option

Aiming limited to 0-90° per ANSI C136.10
(NOTE: available on ALL mountings - SFC shown for illustrative purposes only)



FLDM DuraForm

Medium floodlight

LED Wattage and Lumen Values - 3000K

Ordering Code	Color Temp.	Average System Watts	Wattage Label ¹	SPT		NFL		MFL		WFL		7x6	
				Lumen Output	Efficacy (LPW)	Lumen Output	Efficacy (LPW)	Lumen Output	Efficacy (LPW)	Lumen Output	Efficacy (LPW)	Lumen Output	Efficacy (LPW)
FLDM-A07-730	3000	92	90	13,204	143	12,546	136	13,078	142	13,076	142	12,717	138
FLDM-A08-730	3000	120	120	16,326	136	15,513	129	16,171	135	16,169	135	15,724	131
FLDM-A09-730	3000	161	160	20,297	126	19,286	119	20,105	125	20,101	125	19,549	121
FLDM-A10-730	3000	122	120	17,347	143	16,482	136	17,182	141	17,179	141	16,707	137
FLDM-A11-730	3000	140	140	19,412	138	18,445	132	19,228	137	19,225	137	18,696	133
FLDM-A12-730	3000	182	180	23,457	129	22,288	122	23,234	128	23,231	128	22,592	124
FLDM-A13-730	3000	178	180	24,256	136	23,047	130	24,026	135	24,022	135	23,361	131
FLDM-A14-730	3000	227	230	29,407	129	27,941	123	29,128	128	29,123	128	28,323	125

LED Wattage and Lumen Values - 4000K & 5000K

Ordering Code	Color Temp.	Average System Watts	Wattage Label ¹	SPT		NFL		MFL		WFL		7x6	
				Lumen Output	Efficacy (LPW)	Lumen Output	Efficacy (LPW)	Lumen Output	Efficacy (LPW)	Lumen Output	Efficacy (LPW)	Lumen Output	Efficacy (LPW)
FLDM-A07-740 and -750	4000 and 5000	92	90	14,433	157	13,714	149	14,296	155	14,294	155	13,901	151
FLDM-A08-740 and -750	4000 and 5000	120	120	17,851	149	16,961	141	17,681	147	17,679	147	17,192	143
FLDM-A09-740 and -750	4000 and 5000	161	160	22,178	137	21,073	131	21,968	136	21,964	136	21,360	132
FLDM-A10-740 and -750	4000 and 5000	122	120	18,947	156	18,003	148	18,767	154	18,765	154	18,249	150
FLDM-A11-740 and -750	4000 and 5000	140	140	21,219	151	20,162	144	21,018	150	21,015	150	20,437	146
FLDM-A12-740 and -750	4000 and 5000	182	180	25,645	141	24,367	134	25,402	139	25,398	139	24,699	136
FLDM-A13-740 and -750	4000 and 5000	178	180	26,505	149	25,185	142	26,254	148	26,250	148	25,528	143
FLDM-A14-740 and -750	4000 and 5000	227	230	32,136	141	30,535	134	31,831	140	31,826	140	30,951	136

LED Wattage and Lumen Values - 3000K

Ordering Code	Color Temp.	Average System Watts	Wattage Label ¹	RSP		RMF		RNF		A33	
				Lumen Output	Efficacy (LPW)	Lumen Output	Efficacy (LPW)	Lumen Output	Efficacy (LPW)	Lumen Output	Efficacy (LPW)
FLDM-A07-730	3000	92	90	13,103	142	12,941	140	13,227	143	13,576	147
FLDM-A08-730	3000	120	120	16,199	135	15,999	133	16,352	136	16,782	140
FLDM-A09-730	3000	161	160	20,138	125	19,887	123	20,327	126	20,863	129
FLDM-A10-730	3000	122	120	17,208	142	16,994	140	17,370	143	17,828	147
FLDM-A11-730	3000	140	140	19,261	137	19,022	136	19,442	139	19,954	142
FLDM-A12-730	3000	182	180	23,276	128	22,986	126	23,494	129	24,114	132
FLDM-A13-730	3000	178	180	24,066	135	23,767	134	24,293	137	24,933	140
FLDM-A14-730	3000	227	230	29,176	128	28,814	127	29,451	130	30,228	133

Values from photometric tests performed in accordance with IESNA LM-79 and are representative of the configurations shown. Actual performance may vary due to installation and environmental variables, LED and driver tolerances, and field measurement considerations. It is highly recommended to confirm performance with a photometric layout.

NOTE: Some data may be scaled based on tests of similar (but not identical) luminaires. Contact factory for configurations not shown. IES files available with VSR Visor or GSH Glare Shield Accessories - see website. ¹Wattage Label per ANSI C136.15-2015. Consult factory for other labelling needs.

LED Wattage and Lumen Values - 4000K & 5000K

Ordering Code	Color Temp.	Average System Watts	Wattage Label ¹	RSP		RMF		RNF		A33	
				Lumen Output	Efficacy (LPW)	Lumen Output	Efficacy (LPW)	Lumen Output	Efficacy (LPW)	Lumen Output	Efficacy (LPW)
FLDM-A07-740 and -750	4000 and 5000	92	90	14,322	155	14,143	153	14,457	157	14,838	161
FLDM-A08-740 and -750	4000 and 5000	120	120	17,706	147	17,485	145	17,872	149	18,343	153
FLDM-A09-740 and -750	4000 and 5000	161	160	22,010	136	21,737	135	22,217	138	22,802	141
FLDM-A10-740 and -750	4000 and 5000	122	120	18,808	155	18,574	153	18,986	156	19,485	160
FLDM-A11-740 and -750	4000 and 5000	140	140	21,053	150	20,791	148	21,251	152	21,810	156
FLDM-A12-740 and -750	4000 and 5000	182	180	25,440	140	25,124	138	25,680	141	26,356	145
FLDM-A13-740 and -750	4000 and 5000	178	180	26,304	148	25,977	146	26,552	149	27,252	153
FLDM-A14-740 and -750	4000 and 5000	227	230	31,890	140	31,494	139	32,190	142	33,039	145

Field Adjustable Wattage Selector (FAWS) Multiplier Chart

FAWS Position	Typical Delivered Lumens Multiplier	Typical System Wattage Multiplier
1	0.31	0.28
2	0.53	0.50
3	0.62	0.58
4	0.70	0.67
5	0.78	0.75
6	0.83	0.81
7	0.89	0.87
8	0.92	0.91
9	0.96	0.95
10	1.00	1.00

Predicted Lumen Depreciation Data

Ambient Temperature °C	Drive current	Calculated L70 Hours	L70 per TM-21	Lumen Maintenance % at 60,000 hrs
25°C	up to 1050 mA	>100,000 hours	>36,000 hours	>99%

Predicted performance derived from LED manufacturer's data and engineering design estimates, based on IESNA LM-80 methodology. Actual experience may vary due to field application conditions. L70 is the predicted time when LED performance depreciates to 70% of initial lumen output. Calculated per IESNA TM21-11. Published L70 hours limited to 6 times actual LED test hours

FLDM DuraForm

Medium floodlight

Specifications

Housing and Door

Made of low copper die cast Aluminum alloy (A360) for high resistance to corrosion. A hinged removable door opens to provide access to electronic components and to a terminal block. Door is secured to prevent accidental dropping or disengagement. Captive flanged hex head screws with slotted drive provide access to electrical components and are compatible with 1/4" flat blade screwdriver.

Mounting

Up tilt aiming and down tilt aiming possible with all of the mounting options. Top edge of casting includes aiming sight for daytime aiming (see instructions). cULus Listed as suitable for mounting within 4' or 1.2m of the ground.

SFC: Adjustable Slip Fitter with 6' (1.83m) of AWG 16-3 SEOOW cord (or AWG 16-5 if DLEA external control options are selected) exiting the luminaire through IP66 rated cord seal. Customer-specified length or different cord type available - contact factory. Slip Fitter made of low copper die cast Aluminum alloy (A360) for high resistance to corrosion, adjustable knuckle has 5 degree aiming increments with integral interlocking teeth and bolt to secure aiming in place, integral cast-in aiming marks. Fits on a range of tenons from 2-3/8" to 3" (60.3mm to 76.2mm) O.D.

SLF: Same Adjustable Slip Fitter as SFC but with AWG 16-3 wires (or AWG 16-5 if DLEA external control options are selected) exiting through the Slip Fitter. Integral splice compartment for field wiring with cULus Wet Location rated access cover with seal around entire perimeter.

YOK: Adjustable Yoke with 6' (1.83m) of AWG 16-3 SEOOW cord (or AWG 16-5 if DLEA external control options are selected) exiting the luminaire through IP66 rated cord seal. Customer-specified length or different cord type available - contact factory. Yoke made of high strength steel, galvanized and painted for high resistance to corrosion, fully adjustable (no minimum aiming increments) with bolts to secure aiming in place, integral aiming marks.

IP Rating

IP66 rated luminaire in all aiming positions including up tilt aiming per ANSI C136.37 with seal around entire perimeter of the lens and seal around entire perimeter of the electrical / driver compartment.

Light Engine

Composed of 5 main components: Heat Sink, Lens, LED Module, Optical System, Driver. Electrical components are RoHS compliant. LEDs tested by ISO 17025 2005 accredited lab in accordance with IESNA LM-80 guidelines, extrapolations in accordance with IESNA TM-21. Metal core board ensures greater heat transfer and longer lifespan.

Heat Sink: Housing acts as heat sink, designed to ensure high efficacy and superior cooling by natural convection air flow always close to LEDs and driver(s) optimizing their efficiency and life. Product does not use any cooling device with moving parts (only passive cooling).

Lens: Made of soda-lime clear tempered glass flat lens, mechanically assembled and sealed onto the housing heat sink forming IP66 seal. NOTE: Lens is not designed to be removable (if removed impacts IP66 seal).

IK Rating: IK09 high impact resistance rating for luminaire lens.

LED Module: Composed of high performance white LEDs. Color temperature as per ANSI/NEMA bin 3000K nominal (3045K +/-175K) or 4000K nominal (3985K +/- 275K), both CRI 70 min. 75 Typical.

Optical System: Composed of high performance UV stabilized optical grade polymer refractor lenses to achieve desired distribution optimized to get maximum spacing, target lumens and a superior lighting uniformity. Performance shall be tested per LM-63, LM-79 and TM-15 (IESNA) certifying its photometric performance.

Driver: High power factor of 90% min. Electronic driver, operating range 50/60 Hz. Auto adjusting universal voltage input from 120 to 277 or 347 to 480 VAC rated for both application line to line or line to neutral, Class I, THD of 20% max. The current supplying the LEDs will be reduced by the driver if the driver experiences internal overheating as a protection to the LEDs and the electrical components. Output is protected from short circuits, voltage overload and current overload. Automatic recovery after correction. Standard built in driver surge protection of 2.5kV (min). Driver enables setting LED drive current to meet your specific total wattage consumption, lumen output and/ or efficacy needs, contact factory.

Integrated Features

Please note that these integrated features always come with this luminaire standard at no additional cost.

0-10V dimming driver included as standard, dimming leads pre-wired to Dimming Controls option except when DLEA external controls options are selected.

SP1: Surge protection device tested in accordance with ANSI/IEEE C62.45 per ANSI/IEEE C62.41.2 Scenario I Category C High Exposure 10kV/10kA waveforms for Line-Ground, Line-Neutral and Neutral-Ground. Enhanced surge protection device SP2 20kV/10kA available as an option Surge protection device wired in parallel so that if it fails open the luminaire will remain lit/ powered on..

Service Tag: Each individual luminaire is uniquely identifiable, thanks to the Service tag application. With a simple scan of a QR code you gain instant access to the luminaire configuration, making installation and maintenance operations faster and easier, no matter what stage of the luminaire's lifetime. Just download the app and register your product right away.

For more details visit: www.signify.com/global/service-tag

Terminal Block: 3-position. Accepts wires from #2AWG to #14AWG, rated 600V, 85A. Included as standard for all configurations, with the exception of those with SFC or YOK mounting options. These options come with an SEOOW power cord. For a terminal block with SFC or YOK, contact factory.

Wiring Cover: Cosmetic cover over LED board wiring. Painted same finish to match luminaire.

Controls Options

Please note that other controls can be integrated as ETO Specials - contact factory.

DLEA: 0-10V dimming driver's dimming wires are externally accessible for connecting dimming controls by others.

FAWS: Field Adjustable Wattage Selector, pre-set to the highest position, can be easily switched in the field to the required position. This reduces total luminaire wattage consumption and reduces the light level - see the FAWS multiplier chart for more details.

Note: It is not recommended to use FAWS with other dimming or controls; if you do, set the switch to position 10 (maximum output) to enable the other dimming or controls. Switching FAWS to any position other than 10 will disable the other dimming or controls.

D4ID: DALI D4i certified driver. Provides extended DALI-2 functionality with power and data, especially for intra-luminaire DALI systems (Driver-Nodes-Sensors). Backward compatible with older DALI standards.

D4ID (or ZD4I) ships with DALI bus power turned on and luminaire information loaded in Memory banks 1 as per ANSI C137.4 (2021). Consult factory for any other driver programming requirement.

ZD4I: Zhaga-D4i certified fixture. Product equipped with D4i driver(s) connected to 4-pin Zhaga Book 18 compliant receptacle. Provides easy integration with Zhaga-D4i smart sensors and communication nodes, enabling plug-and-play IoT upgrades. Receptacle has IP66 rated assembly in a compact design that provides a sealed electrical interface and rated UV resistance, mounted on underside of the luminaire, protective dust cap included. When a controller not Zhaga-D4i certified is used, we cannot guarantee full compatibility. **ZD4I (or D4ID)** ships with DALI bus power turned on and luminaire information loaded in Memory banks 1 as per ANSI C137.4 (2021). Consult factory for any other driver programming requirement.

Connected Lighting

Interact City connector node provides the plug and play wireless communications technology to connect your floodlight to the Interact City lighting management system. With Interact you can remotely manage, monitor and control all city lighting, from roads and streets, to parks and plazas, and bridges from one single system. Connected lighting enables capabilities including, accurate on/off switching, dimming control, fault reporting and integration with other systems to enable condition-based lighting. Interact provides you with a robust and scalable infrastructure to further reduce energy consumption, improve operations, and turn lighting into a connected network for your smart city journey.

For more details visit:

<https://www.interact-lighting.com/en-us/what-is-possible/interact-city>

FLDM DuraForm

Medium floodlight

Specifications (continued)

Luminaire Options

SP2: 20kV / 10kA surge protection device that provides extra protection beyond the standard SP1 10kV/10kA level. Surge protection device wired in parallel so that if it fails open the luminaire will remain lit/powerd on.

TT7*: Tool Less orientable twist-lock receptacle with 7 pins enabling dimming, can be used with an Interact City node, a twist-lock photoelectric cell or a shorting cap.

* Use of photoelectric cell or shorting cap is required to ensure proper illumination.

Note: Additional hardware will be required to utilize the additional 2 pins on this receptacle.

API: Factory Installed NEMA label, ANSI C136.15-2015 compliant, identifies LED source and wattage, affixed to luminaire at factory. Consult factory for other labeling needs.

FS1: Fusing, single (120, 277 or 347VAC) installed in electrical compartment

FS2: Fusing, double (208, 240 or 480VAC) installed in electrical compartment

FS3: Fusing, Canadian Double Pole (208, 240 or 480VAC) installed in electrical compartment.

TOL: Tool Free access 316 stainless steel latches provide a high resistance to corrosion. Latches operable while wearing protective electrical gloves.

VPA: Vandal Proof hardware to prevent access to internal components, 316 stainless steel, complete with Ceramic primer seal to reduce seizing of the parts, also offers a high resistance to corrosion. Bit included with luminaire.

PCB: Photocell Button (a.k.a. button photoeye).

Luminaire Useful Life

Refer to IES files for energy consumption and delivered lumens for each option. Based on ISTMT in situ thermal testing in accordance with UL1598 and UL8750, exclusive Signify System Reliability Tool, Advance driver data and LED manufacturer LM-80/TM-21 data, expected to reach 100,000 + hours with L_{70} lumen maintenance @ 25°C. Luminaire Useful Life accounts for LED lumen maintenance AND all of these additional factors including: LED color shift, LED life, driver life, PCB substrate, solder joints, on/off cycles, burning hours and corrosion.

Wiring

#2-#14 AWG wires from the primary circuit, located inside the housing. Due to the inrush current that occurs with electronic drivers, recommend using a time-delay or slow blow fuse to avoid unwanted fuse blowing (false tripping) that can occur with normal or fast acting fuses.

Hardware and Seals

All exposed hardware shall be high-grade 316 stainless steel and ceramic coated for superior corrosion resistance and to prevent galvanic corrosion, and shall be captive. All seals and sealing devices are made and/or lined with EPDM and/or silicone and/or rubber.

Finish

Color in accordance with the AAMA 2603 standard. Application of polyester powder coat paint (4 mils/100 microns) with ± 1 mils/24 microns of tolerance. The Thermosetting resins provides a discoloration resistant finish in accordance with the ASTM D2244 standard, as well as luster retention in keeping with the ASTM D523 standard and humidity proof in accordance with the ASTM D2247 standard. The standard finishes achieve a minimum scribe rating of 8 per ASTM D1654 after a minimum of 5000 hours salt spray in accordance with testing performed per ASTM B117 standard.

When Marine Grade paint option is selected, an additional step of anodizing castings is done prior to applying the MG paint. This increases corrosion resistance even further and results in a higher minimum scribe rating of 10 after a minimum of 5000 hours salt spray.

LED Products Manufacturing Standard

The electronic components sensitive to electrostatic discharge (ESD) such as light emitting diodes (LEDs) are assembled in compliance with IEC61340-5-1 and ANSI/ESD S20.20 standards so as to eliminate ESD events that could decrease the useful life of the product.

Vibration Resistance

Luminaire meets the ANSI C136.31-2018 specifications, tested by independent lab over 100,000 cycles in all three axes: Level 2 (3G) Bridge/Overpass ratings for both Slip Fitters and for Yoke.

Certifications and Compliance

cULus Listed for Canada and USA, per UL1598 and UL8750, including suitable for mounting within 4' or 1.2m of the ground. Configurations are DesignLights Consortium qualified, consult DLC QPL Qualified Products List for more details. Luminaire complies with or exceeds the following ANSI C136 standards: .2, .3, .10, .15, .21, .22, .24, .25, .31, .32, .37, .41. Entire luminaire is rated and cULus Elevated Ambient Listed for operation in ambient temperature of -40°C (-40°F) up to +50°C (+122°F) - contact factory if +50°C ambient with DALI is required. Controls options enable compliance with Outdoor lighting energy codes including ASHRAE 90.1, California Title 24, and IECC.

Limited Warranty

10-year limited warranty.

See signify.com/warranties for details and restrictions.

Buy American Act of 1933 (BAA)

This product is manufactured in one of our US factories and, as of the date of this document, this product was considered a commercially available off-the-shelf (COTS) item meeting the requirements of the BAA. This BAA designation hereunder does not address (i) the applicability of, or availability of a waiver under, the Trade Agreements Act, or (ii) the "Buy America" domestic content requirements imposed on states, localities, and other non-federal entities as a condition of receiving funds administered by the Department of Transportation or other federal agencies. Prior to ordering, please visit www.signify.com/baa to view a current list of BAA-compliant products to confirm this product's current compliance. Failure to properly select the "BAC" suffix could result in you receiving product that is not BAA compliant product with no recourse for an RMA or refund.